



CUT AND PASTE SPECIFICATION INTO APPROPRIATE CSI DIVISION

- 09 64 20 — Reclaimed Wood Flooring
- 09 64 30 — Engineered Wood Flooring
- 06 42 00 — Wood Paneling

MANUFACTURER

Pioneer Millworks
 1180 Commercial Dr
 Farmington, NY 14425

MATERIALS

Product: Sunset Collection Reclaimed Oak
Collection: Sunset Collection
Species: Domestic Oak
Core: 9-Ply FSC® Certified & TCSA Compliant Birch Plywood
Texture: Smooth Planed
Source: Agricultural Deconstruction
Color: Tones may range from tan to brown and neutral tones
Unlimited color variation is inherent to the product

Finish: Naked, Pure, Canyon, Roan, Sabino, Nubuck, Dark Bay
Hardness: 1290

(Janka Ball Test ASTM D1037-96A, Natural wood products have no minimum hardness since hardness is a characteristic of species and cannot be controlled)

DIMENSIONS & MILLING

Engineered (Prefinished)

Thickness:	5/8"	Profile + End Match:	TGMBVE (Tongue and Groove Micro-Bevel Edge)
Width:	4 1/2"	Wear Layer:	3/16"
Length:	12" – 6.5' random	Core:	1/2"

ADDITIONAL INFORMATION

- Heartwood:** No Restriction
- Grain:** No Restriction
- Knots:** No limitations on sound knots
Surface defects from chipped or open knots may be present
- Texture:** Surface should generally be 95% clear of saw marks or patina
- Voids:** Voids up to 1" in diameter will be filled with a black composite.
Insect marks, including pinholes, may also be present on the surface.
- Discoloration:** Ferrous staining from previous fasteners may be present
- Checks:** Structural checks not affecting the integrity of the plank, once installed, are allowed and more prevalent as the width of the material increases.
- Moisture Content:** Kiln dried 6–9% prior to milling

CERTIFICATIONS & LEED INFORMATION

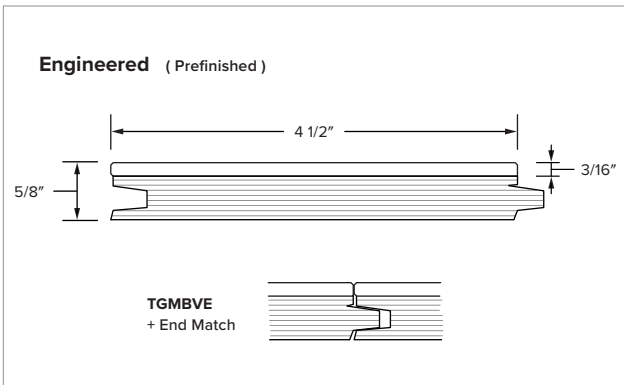
- FSC® Claim:** FSC® Mix (SCS-COC-003998-D)
- Greenguard GOLD Certified**
- MRc3:** Materials Reuse
(materials used for this credit cannot be applied to MRc4 or MRc5)
- MRc4:** Recycled Content, 100% Post-Consumer Recycled Content
(materials used for this credit cannot be applied to MRc3 or MRc7)
- MRc5:** Regional Materials (call for details)

INSTALLATION RECOMMENDATIONS

- Overage:** Minimum 10% additional material
for on-site grading, trimming and installation factors.
- Climate:** As with any wood flooring product, the room temperature should be held at a consistent range between **60-80° F** with relative humidity between **30-60%**.
Environmental conditions consistently outside of these parameters could result in product performance issues.

Sunset Collection

Reclaimed oak is the sturdy foundation of our Sunset Collection. Sourced from the iconic four rail fences that reign in fertile Kentucky pasturelands; these rescued planks corralled stoic thoroughbreds for decades. Our proprietary milling techniques preserve the oak's historic character, illustrating the detail in the grains and fissures from its previous life. Engineered for both stability and ease of installation, our Sunset Collection employs an all-natural plant-based UV Cured Hard-Wax Oil finish that is easy to maintain, durable, and safe for people, animals and the planet.





Naked

SKU# 2912181011



Pure

SKU# 29121810211



Canyon

SKU# 29122117911



Roan

SKU# 29122118011



Sabino

SKU# 29121817811



Nubuck

SKU# 29121817711



Dark Bay

SKU# 29121817611