

Larch Siding & Shiplap

Pioneer Millworks Larch Siding and Shiplap is PEFC sourced Larch. The signature swirling grain and small tight knots of larch brings a natural finish to vertical applications. The rot resistance of this underutilized species rivals that of Douglas fir, and it is locally grown in the Pacific Northwest which makes it a great option for exterior or interior uses. Pair it with one of our color options which show off the wood grain patterns through hue and tone; it has been brushed which enhances color saturation & adhesion.

CUT AND PASTE SPECIFICATION INTO APPROPRIATE CSI DIVISION

06 42 00 — Wood Paneling

07 46 23 — Wood Siding

MANUFACTURER

Pioneer Millworks
2655 NE Orchard Ave
McMinnville, OR 97128

MATERIALS

Product: Larch Shiplap
Collection: Siding & Shiplap
Species: Western Larch (*Larix occidentalis*)
Texture: Wire-Brushed
Source: Sustainably Harvested Forests

Color: Available prefinished, standard and custom colors available. Unfinished wood tone ranges from cream to light brown; color variation is inherent to the product.

Grade: Sound Tight Knots (STK)

Finish: Prefinished with an exterior sealer as specified (2 coats face, one coat back) *shown Unfinished

Hardness: 830

(Janka Ball Test ASTM D143, Natural wood products have no minimum hardness since hardness is a characteristic of species and cannot be controlled)

ADDITIONAL INFORMATION

Heartwood: No Restriction

Grain: No Restriction

Knots: No limitations on sound knots.

surface defects from chipped or open knots may be present.

VOIDS: Occasional blown out knots up to 1" diameter may be present.

CHECKS: Checks allowed so long as material integrity is not adversely affected.

Moisture Content: Kiln dried 12–15% prior to milling.

CERTIFICATIONS & LEED INFORMATION

MRC5: Regional Materials (call for details)

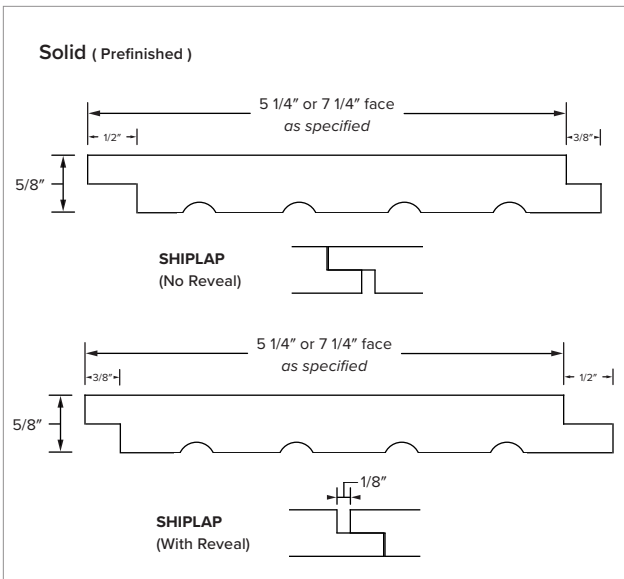
PEFC Certified Larch

INSTALLATION RECOMMENDATIONS

Overage: Minimum 10% additional material

for on-site grading, trimming and installation factors.

Climate: As with any wood product, extreme climate conditions including heat, cold, humid or arid can cause movement and performance issues with the material.



DIMENSIONS & MILLING

Solid (Prefinished)

Thickness: 5/8"

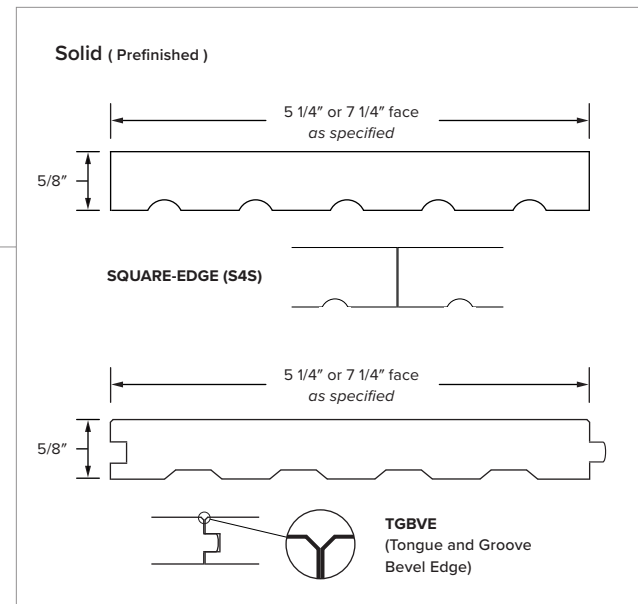
Profile: SHIPLAP (No Reveal)
SHIPLAP (With Reveal)

Width: 5 1/4" or 7 1/4" face as specified

SQUARE-EDGE (S4S)

Length: 8'–16' random
Called lengths available

TGBVE
(Tongue and Groove Bevel Edge)





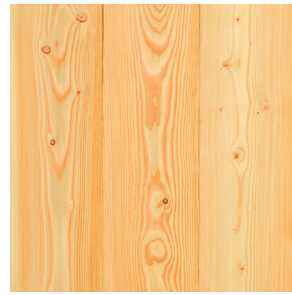
Cloud SKU# 15401712412



Nickel SKU# 15401712612



Clay SKU# 15401716312



Sand SKU# 15401716312



Fossil SKU# 15401713412



Pinecone SKU# 15401716412



Salt Flats SKU# 15401714312



Pebble SKU# 15401712912



Fawn SKU# 15401716212



Camel SKU# 15401714512



Currant SKU# 15401713512



Lapis SKU# 15401713612



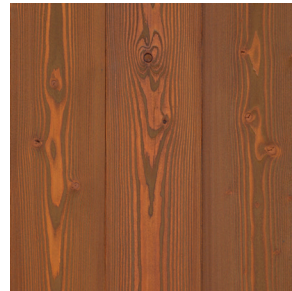
Scandi SKU# 15401712512



Storm SKU# 15401712812



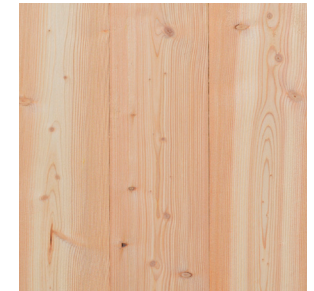
Grove SKU# 15401716112



Tawny SKU# 15401713112



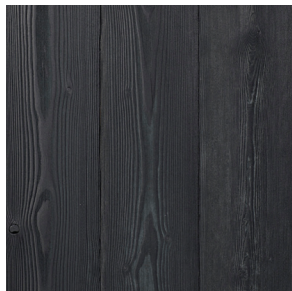
Primed SKU# 15401713712



Clear Sealer SKU# 15401711412



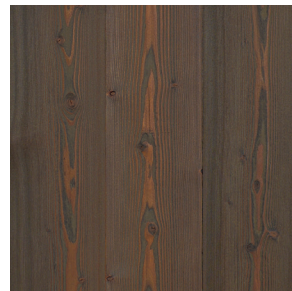
Harbor SKU# 15401714412



Black SKU# 15401712712



Hazy SKU# 15401713312



Cocoa SKU# 15401713212