

Vertical Grain Shiplap

Pioneer Millworks Vertical Grain Shiplap is an FSC® chain-of-custody certified, and a Pacific Northwest harvested option for wood in vertical applications. The rot resistance of Douglas fir and small tight knots, make it a favorite material choice for exterior applications. Our Douglas Fir's signature vertical grain has been brushed once allowing our standard color finishes to shine.

CUT AND PASTE SPECIFICATION INTO APPROPRIATE CSI DIVISION

06 42 00 — Wood Paneling

07 46 23 — Wood Siding

MANUFACTURER

Pioneer Millworks
2655 NE Orchard Ave
McMinnville, OR 97128

MATERIALS

Product: Vertical Grain Shiplap
Collection: Siding & Shiplap
Species: Douglas Fir (*Pseudotsuga menziesii*)
Texture: Wire-Brushed
Source: Sustainably Harvested Forests

Color: Available prefinished standard and custom colors available. Unfinished wood tone ranges from pinkish white to light brown.

Unlimited color variation is inherent to the product.

Grade: Vertical Grain

Finish: Prefinished with an exterior sealer as specified (2 coats face, one coat back). * shown Unfinished

Hardness: 620

(Janka Ball Test ASTM D143, Natural wood products have no minimum hardness since hardness is a characteristic of species and cannot be controlled)

ADDITIONAL INFORMATION

Heartwood: No Restriction

Grain: Vertical

Knots: No limitations on sound knots.

surface defects from chipped or open knots may be present.

Voids: Occasional blown out knots up to 1" diameter may be present.

Checks: Checks allowed so long as material integrity is not adversely affected.

Moisture Content: Kiln dried 12–15% prior to milling.

CERTIFICATIONS & LEED INFORMATION

FSC® Claim: FSC® Mix (SCS-COC-003998-D)

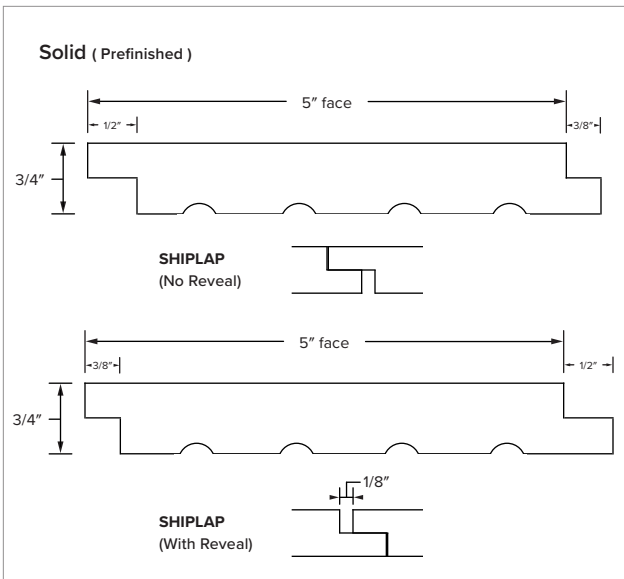
MRC5: Regional Materials (call for details)

INSTALLATION RECOMMENDATIONS

Overage: Minimum 10% additional material

for on-site grading, trimming and installation factors.

Climate: As with any wood product, extreme climate conditions including heat, cold, humid or arid can cause movement and performance issues with the material.



DIMENSIONS & MILLING

Solid (Prefinished)

Thickness: 3/4"

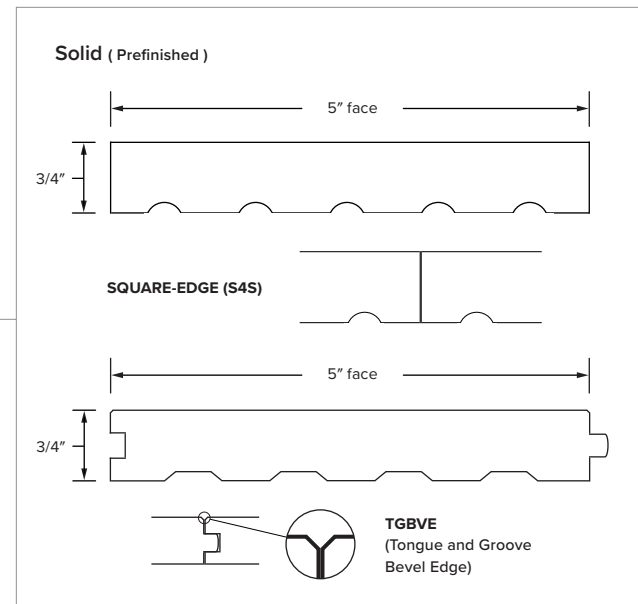
Width: 5" face

Length: 6'–16' random
Called lengths available

Profile: SHIPLAP (No Reveal)
SHIPLAP (With Reveal)

SQUARE-EDGE (S4S)

TGBVE
(Tongue and Groove Bevel Edge)





Cloud SKU# 15421412412



Nickel SKU# 15421412612



Clay SKU# 15421416312



Sand SKU# 15421413012



Currant SKU# 15421413512



Unfinished SKU# 15421410012



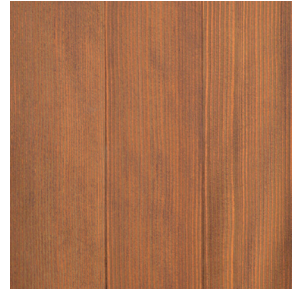
Scandi SKU# 15421412512



Pebble SKU# 15421412912



Fawn SKU# 15421416212



Tawny SKU# 15421413112



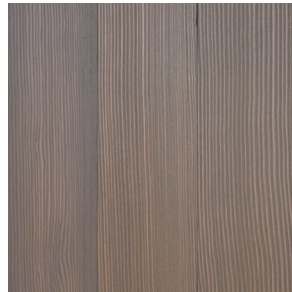
Lapis SKU# 15421413612



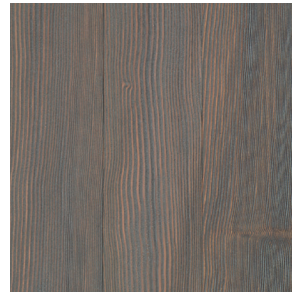
Clear Sealer SKU# 15421411412



Storm SKU# 15421412812



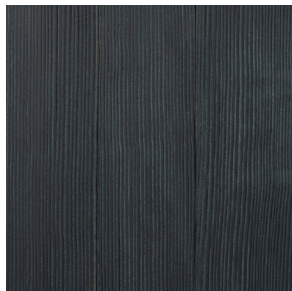
Grove SKU# 15421416112



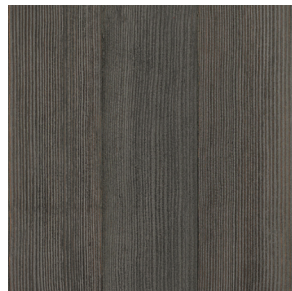
Fossil SKU# 15421413412



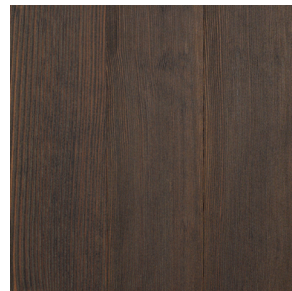
Primed SKU# 15421413712



Black SKU# 15421412712



Hazy SKU# 15421413312



Cocoa SKU# 15421413212