



Accoya® Siding & Shiplap

Pioneer Millworks Accoya® Siding and Shiplap is FSC®-certified® and cradle-to-cradle certified making it a top choice for sustainability and material health. The rot and moisture resistance of this acetylated pine is due to the unique vinegar treatment it is given directly after harvest. This makes it extremely durable, rivaling tropical hardwoods for longevity, and it comes with a 50-year above-ground warranty. Accoya's simple grain structure and few knots take well to our standard color finishes; an additional brushing adds color saturation & adhesion. Also available pre-primed for easy application of paint colors or unfinished to be stained on site.

CUT AND PASTE SPECIFICATION INTO APPROPRIATE CSI DIVISION

06 42 00 — Wood Paneling

07 46 23 — Wood Siding

MANUFACTURER

Pioneer Millworks
2655 NE Orchard Ave
McMinnville, OR 97128

MATERIALS

Product: ACCOYA® Siding & Shiplap

Collection: Siding & Shiplap

Species: Radiata Pine (*Pinus radiata*)

Texture: Wire-Brushed

Source: Sustainably Harvested Forests

Color: Available prefinished or unfinished, standard and custom colors available. Unfinished wood tone ranges from off-white to tan.

Unlimited color variation is inherent to the product.

Grade: Select

Finish: Unfinished or prefinished with an exterior sealer as specified (2 coats face, one coat back). * shown Unfinished

Hardness: 922

(Janka Ball Test ASTM D143, Natural wood products have no minimum hardness since hardness is a characteristic of species and cannot be controlled)

ADDITIONAL INFORMATION

Heartwood: No Restriction

Grain: No Restriction

Knots: Infrequent pin knots up to 3/8" in diameter may be present.

Voids: None allowed

Checks: Minimal surface checking may be present.

Moisture Content: Kiln dried less than 10% prior to milling.

CERTIFICATIONS & LEED INFORMATION

FSC® Claim: FSC® Mix 70% (SCS-COC-003998-D)

MRc1: Building Life-cycle Impact Reduction

MRc2: EPD Certification Available

MRc3: FSC® Mix 70%

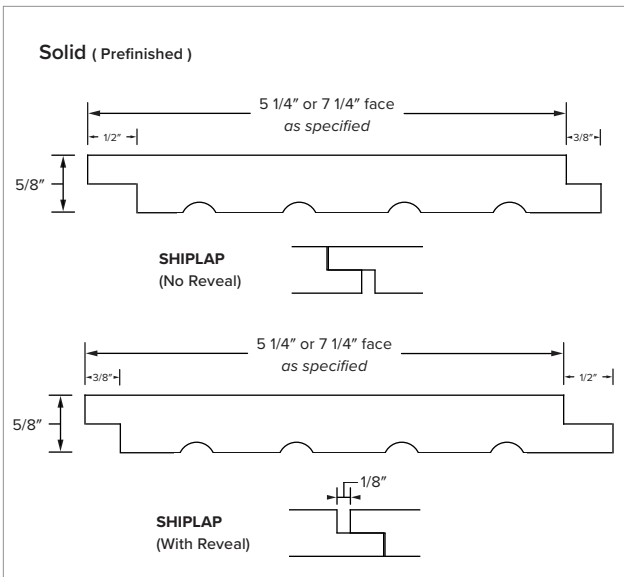
MRc4: Material Ingredients Optimization: C2C Gold Certified

INSTALLATION RECOMMENDATIONS

Overage: Minimum 10% additional material

for on-site grading, trimming and installation factors.

Climate: As with any wood product, extreme climate conditions including heat, cold, humid or arid can cause movement and performance issues with the material.



DIMENSIONS & MILLING

Solid (Prefinished)

Thickness: 5/8"

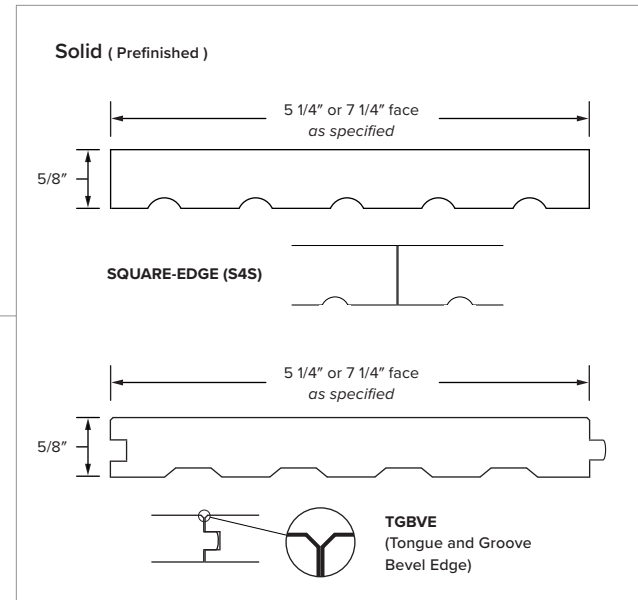
Width: 5 1/4" or 7 1/4" face as specified

Length: 8' - 16' random
Called lengths available

Profile: SHIPLAP (No Reveal)
SHIPLAP (With Reveal)

SQUARE-EDGE (S4S)

TGBVE
(Tongue and Groove Bevel Edge)





Cloud SKU# 15381112412



Nickel SKU# 15381112612



Clay SKU# 15381116312



Sand SKU# 15381113012



Currant SKU# 15381113512



Unfinished SKU# 1538110012



Scandi SKU# 15381112512



Pebble SKU# 15381112912



Fawn SKU# 15381116212



Tawny SKU# 15381113112



Lapis SKU# 15381113612



Clear Sealer SKU# 1538111412



Storm SKU# 15381112812



Grove SKU# 15381116112



Fossil SKU# 15381113412



Primed SKU# 15381113712



Black SKU# 15381112712



Hazy SKU# 15381113312



Cocoa SKU# 15381113212