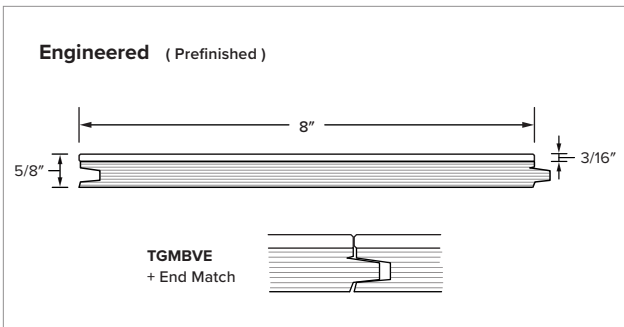




The Natural Expressions Collection

FLOORING DESIGNED WITH DAVID SENISE

Made with our sustainably harvested FSC® Certified Casual White Oak, the Natural Expressions Collection utilizes an 8" wide plank format and an all-natural UV Cured Hard-Wax oil finish, giving any space an organic flow by allowing each board to express a variety of wood grain patterns. Developed in collaboration with celebrated interior designer David Senise, this collection combines elements inspired by nature to bring thoughtful sophistication & grounded aesthetics from the natural world into commercial & residential spaces.



CUT AND PASTE SPECIFICATION INTO APPROPRIATE CSI DIVISION

- 09 64 30 — Engineered Wood Flooring
- 09 64 29—Wood Strip and Plank Flooring
- 06 42 00—Wood Paneling

MANUFACTURER

Pioneer Millworks
1180 Commercial Dr
Farmington, NY 14425

MATERIALS

Product: Natural Expressions Collection: Casual White Oak
Collection: The Natural Expressions Collection
Species: Natural Expressions Collection
Core: 9-Ply FSC® Certified & TCSA Compliant Birch Plywood
Texture: Smooth Planed
Source: Sustainably Harvested Forests
Color: Available in a range of finishes by inspired by Nature.
Finish: UV Cured Hard-Wax Oil
Hardness: 1360
(Janka Ball Test ASTM D1037-96A, Natural wood products have no minimum hardness since hardness is a characteristic of species and cannot be controlled)

DIMENSIONS & MILLING

Engineered (Prefinished)

Thickness:	5/8"	Profile:	TGM BVE (Tongue and Groove Micro Bevel Edge)
Width:	8"	Core:	1/2"
Length:	18" – 12' random	Wear Layer:	3/16"

ADDITIONAL INFORMATION

Heartwood: 75% or greater Heartwood

Grain: Clear

Knots: Primarily free of knots.

Existing knots generally do not exceed 1/2" in diameter.

Voids: In engineered prefinished product voids up to 1" in diameter will be filled with a black composite.

Insect marks, including pinholes, may also be present on the surface.

Discoloration: Limited mineral staining is permitted.

Checks: Only minor surface checking is permitted.

Moisture Content: Kiln dried 6–9% prior to milling.

CERTIFICATIONS & LEED INFORMATION

FSC® Claim: FSC® Mix (SCS-COC-003998-D)

Greenguard GOLD Certified

MRC5: Regional Materials (call for details)

INSTALLATION RECOMMENDATIONS

Overage: Minimum 10% additional material

for on-site grading, trimming and installation factors.

Climate: As with any wood flooring product, the room temperature should be held at a consistent range between **60-80° F** with relative humidity between **30-60%**.

Environmental conditions consistently outside of these parameters could result in product performance issues.





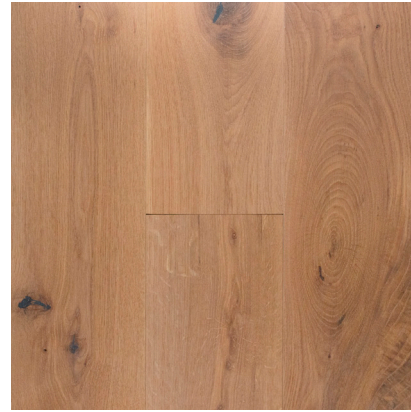
Shoji White

SKU# 27162114911



Hazelwood

SKU# 27162115011



Ginger Root

SKU# 27162115111



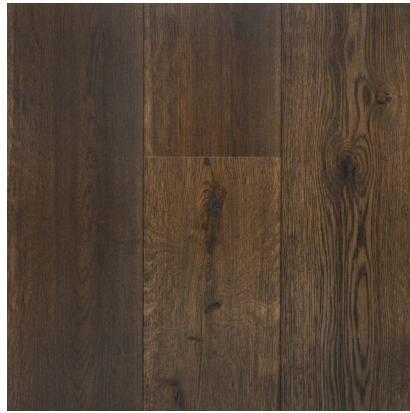
Toasted Wheat

SKU# 27162115211



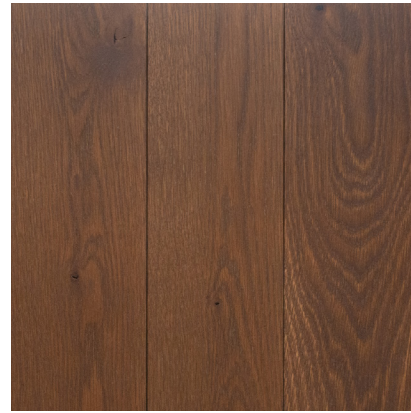
Autumn Brown

SKU# 27162115311



Coffee Bean

SKU# 27162115411



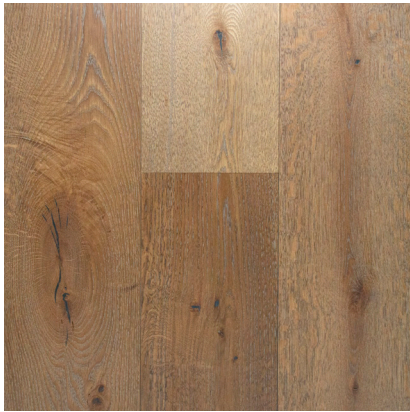
Warm Umber

SKU# 27162115511



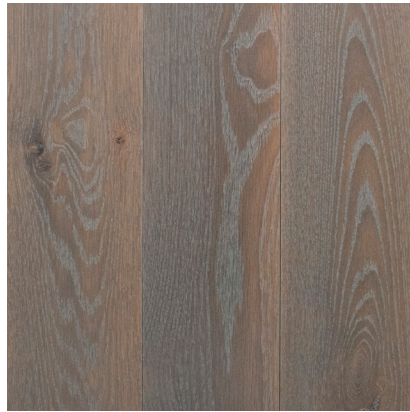
Royal Acorn

SKU# 27162115611



Driftwood

SKU# 27162115711



Nantucket Fog

SKU# 27162115811



Rain Cloud

SKU# 27162115911



Osaka Black

SKU# 27162116011