



Shou Sugi Ban Accoya[®], Brushed

Traditionally Inspired, American Made™—an 18th-century technique for preserving wood with fire is updated to meet 21st-century design and performance standards. With our ACCOYA[®] Once-brushed With our FSC[®]-Certified[®] and Cradle-to-Cradle Certified[™] ACCOYA[®] Brushed we aggressively burn each board, then brush off the softest layer of char resulting in a smooth, dark, and slightly textured surface that is coated with an array of exterior grade colors. ACCOYA[®] is a premium rot and insect resistant material, well known for its durability and ability to withstand the tests of any climate. Applying the Shou Sugi Ban preservation method increases the overall look and life of the wood, while providing a sustainably sourced, naturally beautiful material that takes well to stains and coating.

CUT AND PASTE SPECIFICATION INTO APPROPRIATE CSI DIVISION

06 42 00 — Wood Paneling

07 46 23 — Wood Siding

MANUFACTURER

Pioneer Millworks
2655 NE Orchard Ave
McMinnville, OR 97128

MATERIALS

Product: Shou Sugi Ban ACCOYA[®], Brushed

Collection: Shou Sugi Ban

Species: Radiata Pine / Acetylized

Texture: Surface will have a deeply wire-brushed texture.

Source: Sustainably Harvested Forests

Color: Available prefinished or unfinished,
standard and custom colors available.

Grade: Select

Finish: Burned, brushed, and coated with an exterior sealer.
Back burned to promote stability. * shown in Carbon

Hardness: 922

*(Janka Ball Test ASTM D143, Natural wood products
have no minimum hardness since hardness is a
characteristic of species and cannot be controlled)*

ADDITIONAL INFORMATION

Heartwood: No Restriction

Grain: No Restriction

Knots: Infrequent pin knots up to 3/8"
in diameter may be present.

Void: Occasional blown out knots
up to 1" diameter may be present.

Checks: Minimal surface checking may be present.

Moisture Content: Kiln dried less than 10% prior to milling.

CERTIFICATIONS & LEED INFORMATION

FSC[®] Claim: FSC[®] Mix 70% (SCS-COC-003998-D)

MRc1: Building Life-cycle Impact Reduction

MRc2: EPD Certification Available

MRc3: FSC[®] Mix 70%

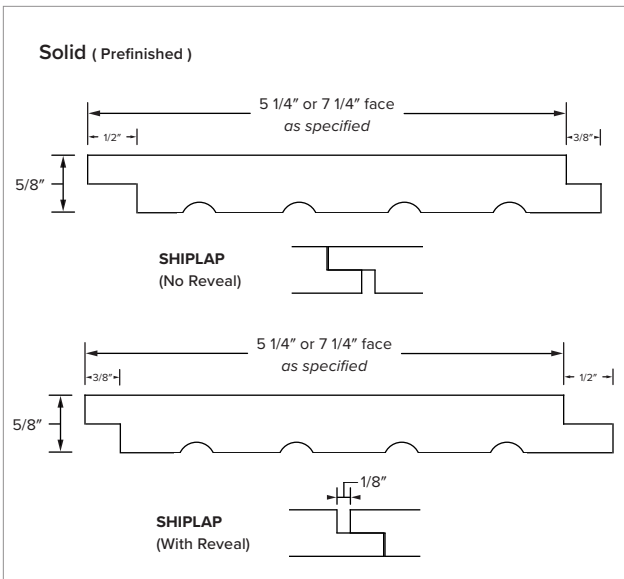
MRc4: Material Ingredients Optimization: C2C Gold Certified

INSTALLATION RECOMMENDATIONS

Overage: Minimum 10% additional material

for on-site grading, trimming and installation factors.

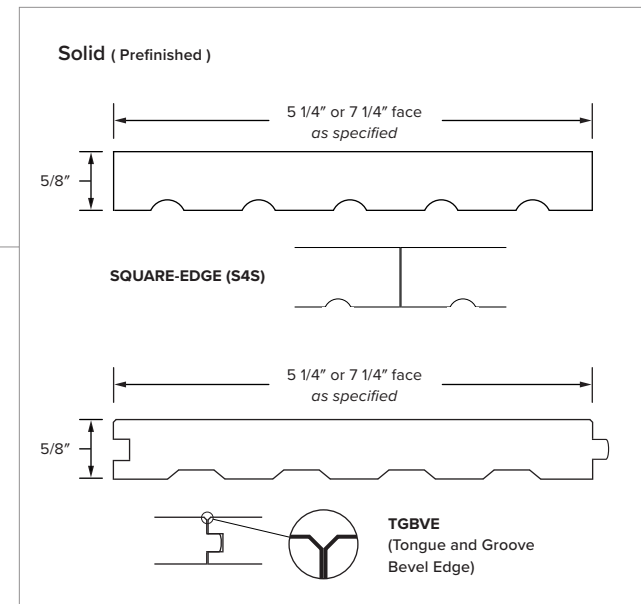
Climate: As with any wood product, extreme
climate conditions including heat, cold,
humid or arid can cause movement and
performance issues with the material.



DIMENSIONS & MILLING

Solid (Prefinished)

Thickness:	5/8"	Profile:	SHIPLAP (No Reveal) SHIPLAP (With Reveal)
Width:	5 1/4" or 7 1/4" face as specified		SQUARE-EDGE (S4S)
Length:	6' - 16' random Called lengths available		TGBVE (Tongue and Groove Bevel Edge)





Carbon

SKU# 1638111812



Smoke

SKU# 16381110412



Smolder

SKU# 16381114712



White

SKU# 16381112112



Toasted (Interior Use Only)

SKU# 16381111912