

CUT AND PASTE SPECIFICATION INTO APPROPRIATE CSI DIVISION

09 15 00 — Wood Decking

MANUFACTURER

Pioneer Millworks
2655 NE Orchard Ave
McMinnville, OR 97128

MATERIALS

Product: Abodo® Vulcan Decking

Species: Thermally Modified Radiata Pine

Texture: Wire-Brushed

Source: Sustainably Harvested Forests

Color: A homogeneous brown tone. Color variation may occur due to variation in the natural substrate.

Color may change/fade as part of the weathering process.

Grade: Premium Grade, Semi VG

Finish: Waterborne Protector Oil on all faces

Hardness: 562

(Janka Ball Test ASTM D143, Natural wood products have no minimum hardness since hardness is a characteristic of species and cannot be controlled)

CERTIFICATIONS & LEED INFORMATION

SS5: Heat Island Reduction

FSC® Claim: FSC® Mix 70% (SCS-COC-003998-D)

MRC1: Building Life-cycle Impact Reduction

MRC2: Building product disclosure and optimization-Environmental Product Declarations

MRC3: Building product disclosure and optimization-Sourcing of raw materials.

MRC4: Building product disclosure and optimization-Material Ingredients

MRC7: FSC® Certified

Built to Last Warranty: Vulcan Decking is covered by a 15 year Built to Last Warranty.

RECOMMENDED OVERAGE

Overage: Minimum 10% additional material

for on-site grading, trimming and installation factors.

Climate: As with any wood product, extreme climate conditions including heat, cold, humid or arid can cause movement and performance issues with the material.

INSTALLATION & MAINTENANCE

1. Abodo Vulcan Decking requires allowance for expansion when it gets wet, therefore a larger than normal gap needs to be left between boards- minimum 6mm in most cases.
2. We recommend fixing the boards with two stainless steel screws per joist.
3. Predrilling is not required in most cases.
4. Joist centers should be at a maximum of 18" in most cases.
5. At a minimum, Abodo Vulcan Decking should be cleaned at least every 12 months with soapy water, a brush and water.
6. This is a natural wood product, so some surface discoloration or mold and mildew may occur due to environmental conditions and exposure.
8. Heavier discoloration or mold growth can be removed with Rejuvenator or other similar oxygenating cleaner.
9. Waterborne Protector Oil coating should be re-applied once it begins to fade or stop water beading. Re-coat cycle may be 12-18 months.

Abodo® Vulcan Decking

Sourced from responsibly managed and rapidly renewable New Zealand forests and manufactured from FSC®-certified timber; Pioneer Millworks Abodo Vulcan thermal decking is carefully crafted with the environment in mind. Offering unsurpassed beauty, durability, and weatherability, our thermal decking is created from precision modified Radiata Pine and developed free from Red List chemicals, fungicides, insecticides, or plastics. Sustainably harvested, the timber is subjected to a thermal modification process that treats it with a low VOC organic preservative (OPX). This procedure provides the wood with water repellency and protection from insects. This process also results in a reduced resin content giving the substrate an enhanced stability and long-term viability, all supported by a 15-year warranty.

DIMENSIONS

Solid (Prefinished)

Thickness:	1"	Profile:	S4SE4E (Surfaced 4 Sides Eased 4 Edges)
Width:	5 1/2"	Eased 4 Edges:	R 1/16"
Length:	8' – 16' random		

ADDITIONAL INFORMATION

Heartwood: No Restriction

Grain: Semi Vertical Grain

Knots: Boards to be primarily free of knots

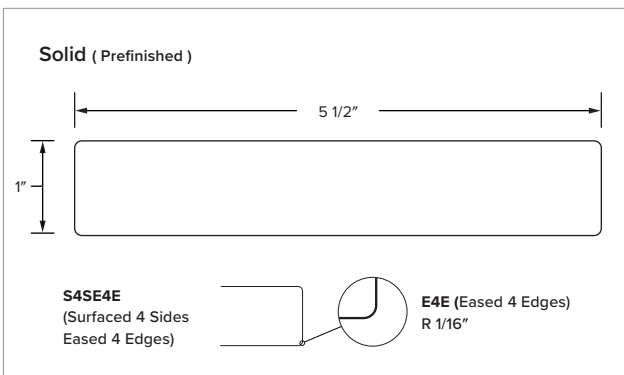
Texture: 100% surfaced with a reeded face that provides enhanced weathering characteristics and grip under foot.

Voids: No voids present

Discoloration: Some variation in overall color tone may be observed between batches, or single boards within a batch due to the natural variability of wood.

Checks: Minimal surface checking may be present

Moisture Content: Approximately 12%





Abodo® Vulcan Decking

SKU# 1012644