

Shou Sugi Ban Larch, Brushed

Traditionally Inspired American Made™. This 18th century technique of preserving wood with fire is refreshed for today's design. Aggressively burning the surface layer of our sustainably harvested Larch, we then wire-brush each plank multiple times to remove the soft char and expose the contrasting grain below. This heavily textured and visually dynamic surface is coated with an exterior grade finish in a selection of cool greys, warm browns, or a pop of color.

Larch is a durable wood with attractive tones and interesting grain patterns. Our Shou Sugi Ban Larch Tiger's Eye is recommended for interior applications only due color instability resulting from the lack of pigment in the finish.

CUT AND PASTE SPECIFICATION INTO APPROPRIATE CSI DIVISION

06 42 00 — Wood Paneling

07 46 23 — Wood Siding

MANUFACTURER

Pioneer Millworks
2655 NE Orchard Ave
McMinnville, OR 97128

MATERIALS

Product: Shou Sugi Ban Larch, Brushed

Collection: Shou Sugi Ban

Species: Western Larch

Texture: Wire Brushed

Source: PEFC-Certified Sources

Color: Available in 9 standard colors. Latewood growth rings will range from dark brown to black.

Grade: Sound Tight Knots (STK)

Finish: Burned, brushed, and coated with an exterior sealer. Back burned to promote stability. * shown in Carbon

Hardness: 830

(Janka Ball Test ASTM D1037-96A, Natural wood products have no minimum hardness since hardness is a characteristic of species and cannot be controlled)

ADDITIONAL INFORMATION

Heartwood: No Restriction

Grain: No Restriction

Knots: No limitations on sound knots.

Surface defects from chipped or open knots may be present.

Voids: Occasional blown out knots up to 1" diameter may be present.

Checks: Checks allowed so long as material integrity is not adversely affected.

Moisture Content: Kiln dried 12–15% prior to milling.

CERTIFICATIONS & LEED INFORMATION

MRC5: Regional Materials (call for details)

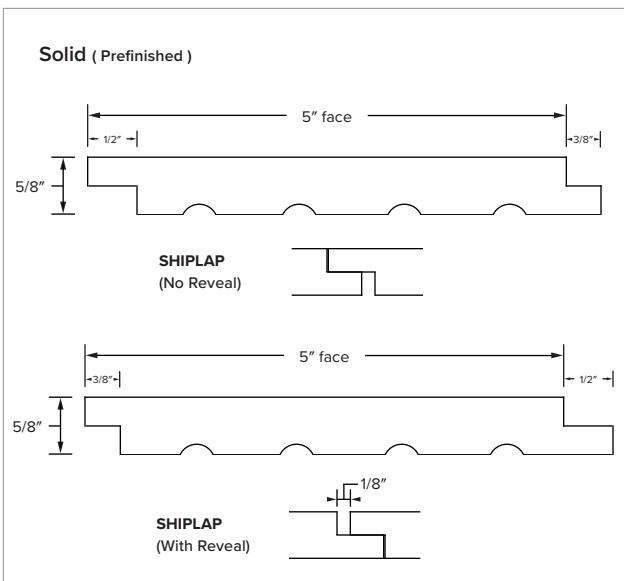
PEFC Certified Larch

INSTALLATION RECOMMENDATIONS

Overage: Minimum 10% additional material

for on-site grading, trimming and installation factors.

Climate: As with any wood product, extreme climate conditions including heat, cold, humid or arid can cause movement and performance issues with the material.



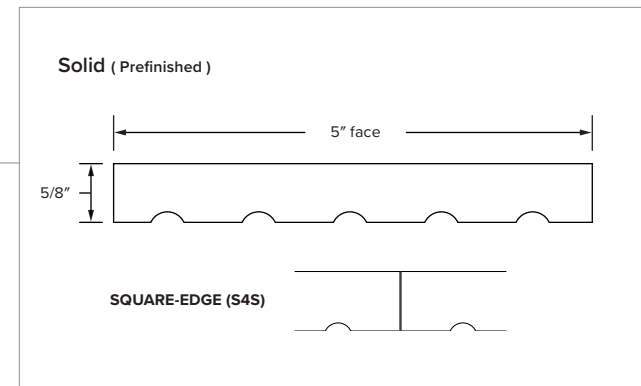
DIMENSIONS & MILLING

Solid (Prefinished)

Thickness: 5/8" Profile: SHIPLAP (No Reveal) SHIPLAP (With Reveal)

Width: 5" face SQUARE-EDGE (S4S)

Length: 8'–16' random
Called lengths available





Charcoal

SKU# 16401714212



Cinder

SKU# 16401712012



Smoke

SKU# 16401710412



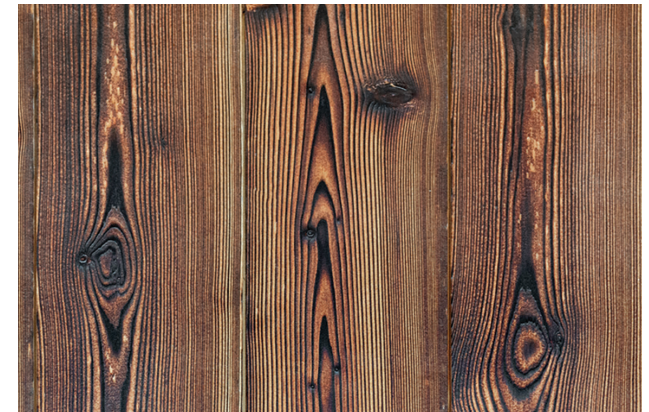
White

SKU# 16401712112



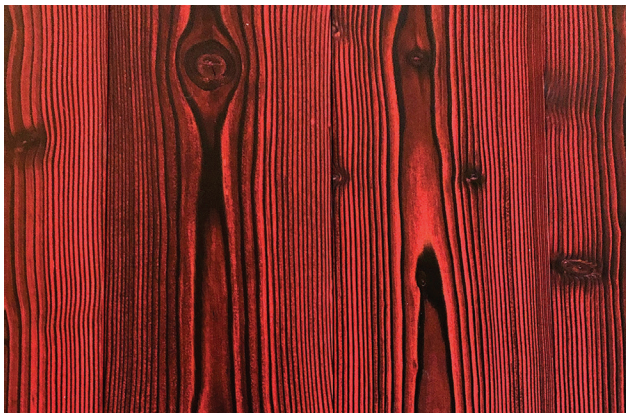
Scorched

SKU# 16401714612



Tiger's Eye (Interior Use Only)

SKU# 16401714112



Ember

SKU# 16401712212



Cobalt

SKU# 16401712312