



Shou Sugi Ban Fir, Deep Char

Traditionally Inspired, American Made™—an 18th-century technique for preserving wood with fire is updated to meet 21st-century design and performance standards. By aggressively burning the surface layer of our FSC® Certified Douglas fir planks we create the signature “alligator skin” texture and black, iridescent look Shou Sugi Ban is known for. Fir Deep Char is a distinguished look that will evolve over time with exposure to the elements. As it matures, some flaking of the char layer should be expected. Periodic application of additional finish will help maintain this product's appearance, but the surface will always be dynamic and can never be fully restored to its original texture once the weathering process has begun. For projects where this level of change is not desired, we recommend our more stable Shou Sugi Ban Carbon finish.

CUT AND PASTE SPECIFICATION INTO APPROPRIATE CSI DIVISION

06 42 00 — Wood Paneling

07 46 23 — Wood Siding

MANUFACTURER

Pioneer Millworks
2655 NE Orchard Ave
McMinnville, OR 97128

MATERIALS

Product: Shou Sugi Ban Fir, Deep Char

Collection: Shou Sugi Ban

Species: Douglas Fir

Texture: Surface will have a deeply charred, “crackled” texture.

Source: Sustainably Harvested Forests.

Color: Carbonized, deep black tones.

Grade: D Select Vertical Grain.

Finish: Burned and coated with an exterior sealer.
Back burned to promote stability.

Hardness: 620

(Janka Ball Test ASTM D1037-96A, Natural wood products have no minimum hardness since hardness is a characteristic of species and cannot be controlled)

ADDITIONAL INFORMATION

Heartwood: No Restriction

Grain: Vertical

Knots: Material to be primarily free of knots.

Texture: Surface will have a deeply charred, “crackled” texture.

Voids: Occasional blown out knots up to 1" diameter may be present.

Checks: Checks allowed so long as material integrity is not adversely affected.

Moisture Content: Kiln dried 12–15% prior to milling.

CERTIFICATIONS & LEED INFORMATION

FSC® Claim: FSC® Mix (SCS-COC-003998-D)

MRc5: Regional Materials (call for details)

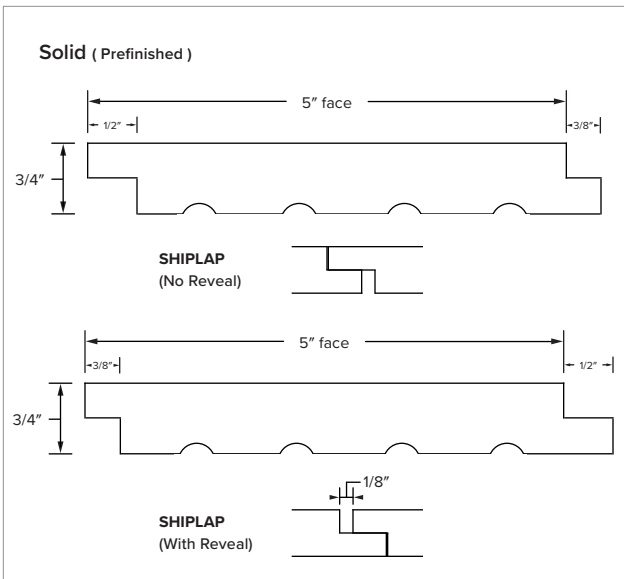
MRc7: Certified Wood

INSTALLATION RECOMMENDATIONS

Overage: Minimum 10% additional material

for on-site grading, trimming and installation factors.

Climate: As with any wood product, extreme climate conditions including heat, cold, humid or arid can cause movement and performance issues with the material.



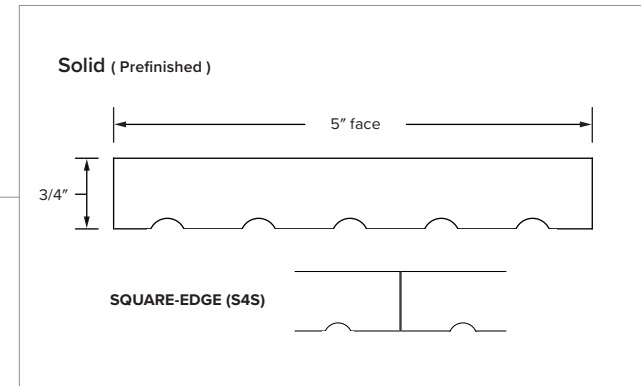
DIMENSIONS & MILLING

Solid (Prefinished)

Thickness: 3/4" Profile: SHIPLAP (No Reveal)
SHIPLAP (With Reveal)

Width: 5" face SQUARE-EDGE (S4S)

Length: 6' – 16' random
Called lengths available





Fir Deep Char

SKU# 16421411712