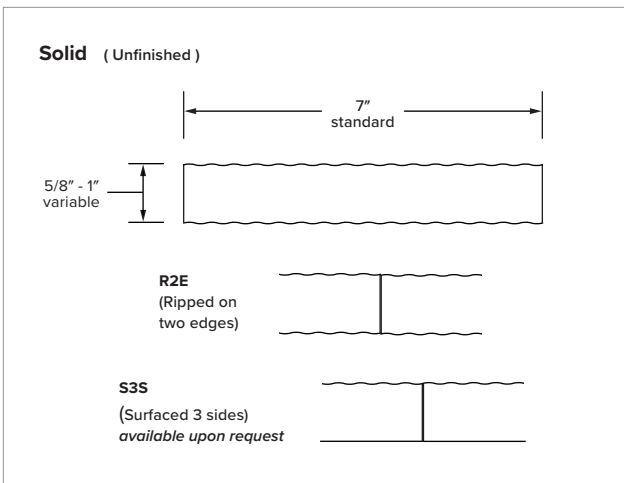


SKU# 11211010017

American Prairie Corral Board

Our American Prairie Corral Board is sourced from working cattle ranches across the Northern Great Plains. Long in length and naturally weathered grey, this material is ideal for siding applications.



CUT AND PASTE SPECIFICATION INTO APPROPRIATE CSI DIVISION

06 05 55—Reclaimed Wood Products & Materials

06 42 00—Wood Paneling

07 46 23—Wood Siding

MANUFACTURER

Pioneer Millworks East
1180 Commercial Dr
Farmington, NY 14425

Pioneer Millworks West
2655 NE Orchard Ave
McMinnville, OR 97128

MATERIALS

Product: American Prairie Corral Board

Collection: American Prairie

Species: Reclaimed Softwoods

Texture: Original Patina

Source: Agricultural Deconstruction

Color: Tones may range from dark to silver grey.

Unlimited color variation is inherent to the product.

Finish: Unfinished unless specified otherwise

Hardness: 420–620

(Janka Ball Test ASTM D1037-96A, Natural wood products have no minimum hardness since hardness is a characteristic of species and cannot be controlled)

DIMENSIONS & MILLING

Solid (Unfinished)

Thickness: 5/8" - 1" variable

Width: 7" standard

Length: 18"– 12' random

Profile: **R2E**
(Ripped on two edges)

S3S
(Surfaced 3 sides)
available upon request

ADDITIONAL INFORMATION

Heartwood: No restriction

Grain: No restriction

Knots: No limitations on sound knots.

Surface defects from chipped or open knots may be present.

Texture: This mixture shows a varied pattern of saw marks, wear patterns, colors and textures. Overwood of up to 1/8" can be expected.

Voids: Fastener holes and open knots can be present and may reach 2" in diameter. Larger voids are occasionally included to preserve long lengths.

Surface defects from insect marks, including pin holes may be present.

Discoloration: Ferrous staining from previous fasteners may be present. Some boards may have brown "shadow" marks.

Checks: Structural checks not affecting the integrity of the plank, once installed, are allowed and more prevalent as the width of the material increases.

Moisture Content: Kiln dried 6–9% prior to milling.

CERTIFICATIONS & LEED INFORMATION

FSC® Claim: FSC Recycled 100% (GFA-COC-008489)

MRC3: Low-Emitting Materials (Unfinished Wood)

MRC4: Building Product Selection and Procurement
(FSC Recycled 100%)

INSTALLATION RECOMMENDATIONS

Overage: Minimum 10% additional material

for on-site grading, trimming and installation factors.

Climate: As with any wood product, extreme climate conditions including heat, cold, humid or arid can cause movement and performance issues with the material.