



Abodo® Vulcan Siding & Shiplap

Pioneer Millworks Abodo Vulcan thermally modified siding is carefully crafted for longevity, beauty, and the environment. Sustainably harvested from responsibly managed New Zealand forests and manufactured from FSC®-certified timber, the precision milled Radiata Pine is subjected to a thermal modification process. This process is free of Red List chemicals, fungicides, insecticides, and plastics making it the perfect choice for both exterior and interior applications. Additionally, this procedure provides our cladding with added water repellency, protection from insects and allows it to sequester more carbon than is used during its manufacturing process. It also results in a reduced resin content giving the substrate an enhanced stability and long-term viability. Offering unsurpassed aesthetics, durability, and weatherability, our thermally modified siding is available in a variety of finishes and profiles, and can work with any architectural intent or application, whether vertical, horizontal, commercial or residential.

CUT AND PASTE SPECIFICATION INTO APPROPRIATE CSI DIVISION

06 42 00 — Wood Paneling

07 46 23 — Wood Siding

MANUFACTURER

Pioneer Millworks
2655 NE Orchard Ave
McMinnville, OR 97128

MATERIALS

Product: Abodo® Vulcan Siding & Shiplap

Collection: Siding & Shiplap

Species: Radiata Pine / Thermally Modified

Texture: Wire-Brushed

Color: Available Vulcan Black, Vulcan Kodiak, Vulcan Marmot, Vulcan Dove, and Vulcan Morel
Unlimited color variation is inherent to the product.

Grade: Select

Finish: Prefinished with a exterior sealer as specified (2 coats face, one coat back).
** Shown in Vulcan Kodiak*

Hardness: 922
(Janka Ball Test ASTM D143, Natural wood products have no minimum hardness since hardness is a characteristic of species and cannot be controlled)

DIMENSIONS & MILLING

Profiles: **SHIPLAP** (No Reveal)
SHIPLAP (With Reveal)
SQUARE-EDGE (S4S)
TGBVE (No Reveal)
TGBVE (With Reveal)
Nova Clip

Thickness: 3/4"

Width: 7"

Length: 6'– 16' random

(At least 20% of each order will be the longest length in the range)

Called lengths available

Back-Relief: Included

ADDITIONAL INFORMATION

Heartwood: No Restriction

Grain: No Restriction

Knots: Infrequent pin knots up to 3/8" in diameter may be present.

Voids: None allowed

Checks: Minimal surface checking may be present.

Moisture Content: Kiln dried less than 10% prior to milling.

CERTIFICATIONS & LEED INFORMATION

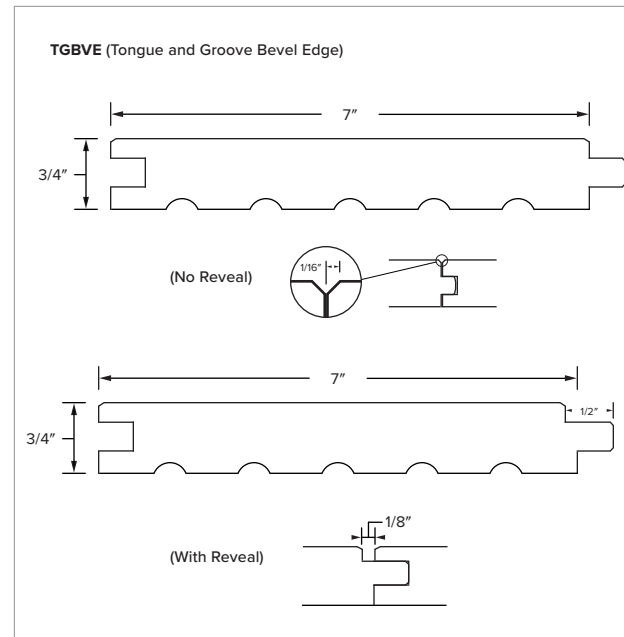
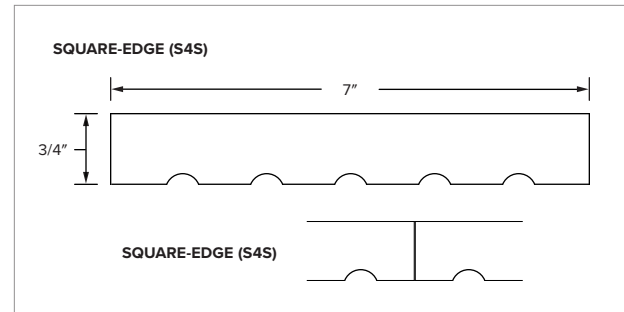
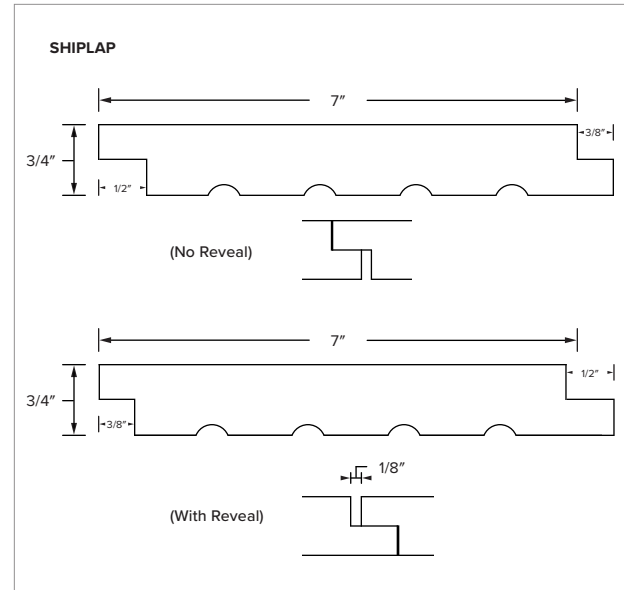
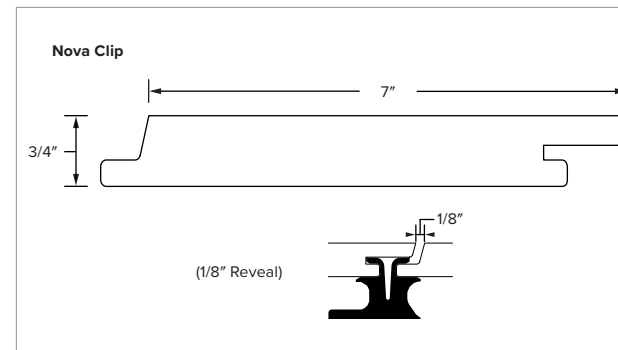
FSC® Claim: FSC Mix Credit (GFA-COC-008489)

MRc4: Building Product Selection and Procurement
(FSC Mix Credit)

INSTALLATION RECOMMENDATIONS

Overage: **Minimum 15%** additional material
For on-site grading, trimming and installation factors.

Climate: As with any wood product, extreme climate conditions including heat, cold, humid or arid can cause movement and performance issues with the material.





Vulcan Black

SKU# 15482618212



Vulcan Kodiak

SKU# 15482618412



Vulcan Marmot

SKU# 15482618512



Vulcan Dove

SKU# 15482618312



Vulcan Morel

SKU# 15482618612