



## Shou Sugi Ban Accoya®

Traditionally Inspired, American Made™—an 18th-century technique for preserving wood with fire is updated to meet 21st-century design and performance standards. With our Accoya® Once-brushed With our FSC®-Certified and Cradle-to-Cradle Certified™ Accoya® Brushed we aggressively burn each board, then brush off the softest layer of char resulting in a smooth, dark, and slightly textured surface that is coated with an array of exterior grade colors. Accoya® is a premium rot and insect resistant material, well known for its durability and ability to withstand the tests of any climate. Applying the Shou Sugi Ban preservation method increases the overall look and life of the wood, while providing a sustainably sourced, naturally beautiful material that takes well to stains and coating.

### CUT AND PASTE SPECIFICATION INTO APPROPRIATE CSI DIVISION

06 42 00 — Wood Paneling  
07 46 23 — Wood Siding

### MANUFACTURER

Pioneer Millworks  
2655 NE Orchard Ave  
McMinnville, OR 97128

### MATERIALS

**Product:** Shou Sugi Ban Accoya®

**Collection:** Shou Sugi Ban

**Species:** Radiata Pine / Acetylized

**Texture:** Surface will have a deeply wire-brushed texture.

**Source:** Sustainably Harvested Forests

**Color:** Available prefinished or unfinished.  
*Standard and custom colors available.*

**Grade:** Select

**Finish:** Burned, brushed, and coated with an exterior sealer. Back burned to promote stability.  
*\* Shown in Carbon*

**Hardness:** **922**  
*(Janka Ball Test ASTM D143, Natural wood products have no minimum hardness since hardness is a characteristic of species and cannot be controlled)*

### DIMENSIONS & MILLING

**Profiles:** **SHIPLAP** (No Reveal)  
**SHIPLAP** (With Reveal)  
**SQUARE-EDGE** (S4S)  
**TGBVE** (Tongue and Groove Bevel Edge)  
**NOVA CLIP**

**Thickness:** 5/8" or 3/4"

**Width:** 5 1/4" or 7 1/4" face  
*as specified*

**Length:** 6'– 16' random  
*(At least 20% of each order will be the longest length in the range)  
Called lengths available*

### ADDITIONAL INFORMATION

**Heartwood:** No Restriction

**Grain:** No Restriction

**Knots:** Infrequent pin knots up to 3/8" in diameter may be present.

**Voids:** Occasional blown out knots up to 1" diameter may be present.

**Checks:** Minimal surface checking may be present.

**Moisture Content:** Kiln dried less than 10% prior to milling.

### CERTIFICATIONS & LEED INFORMATION

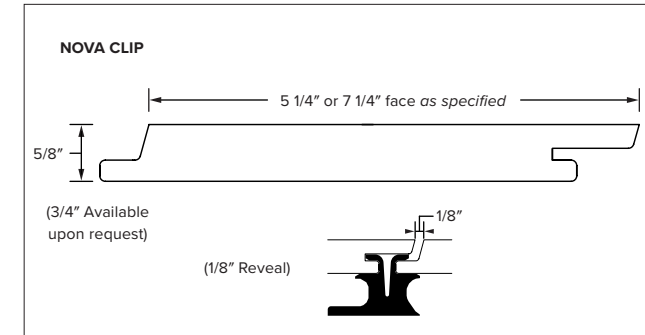
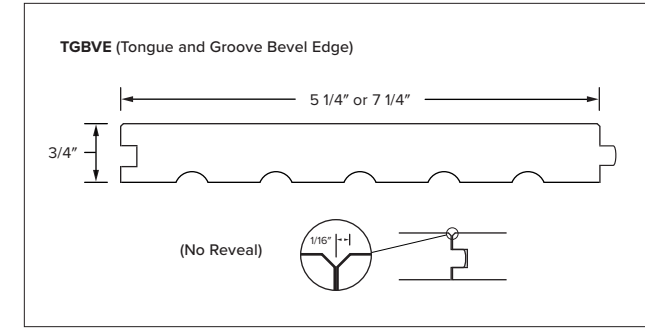
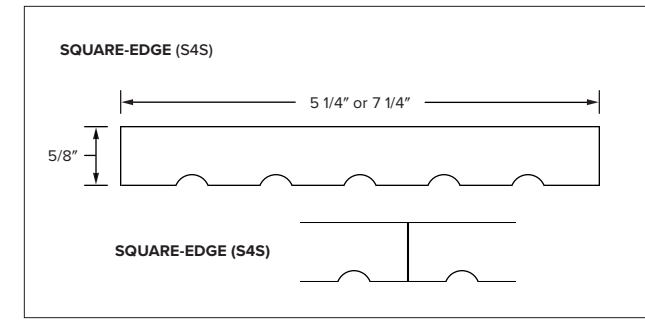
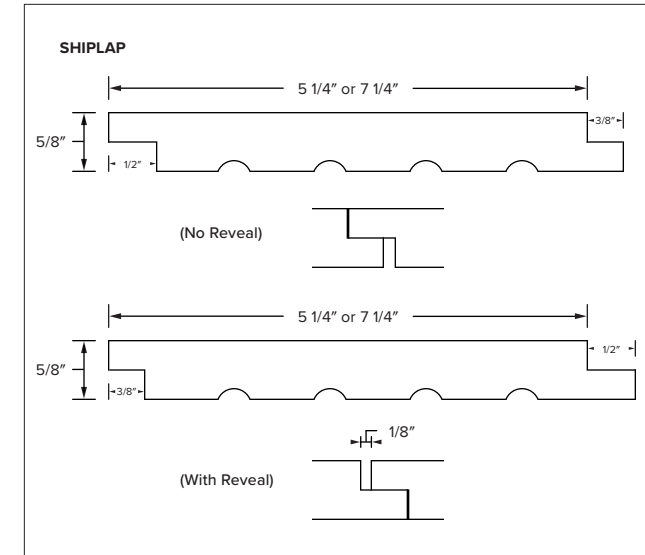
**FSC® Claim:** FSC Mix 70% (GFA-COC-008489)

**MRc4:** Building Product Selection and Procurement (FSC Mix 70%)

### INSTALLATION RECOMMENDATIONS

**Overage:** **Minimum 15%** additional material  
*For on-site grading, trimming and installation factors.*

**Climate:** As with any wood product, extreme climate conditions including heat, cold, humid or arid can cause movement and performance issues with the material.





**Carbon**

SKU# 1638111812



**Smoke**

SKU# 16381110412



**Smolder**

SKU# 16381114712



**White**

SKU# 16381112112



**Toasted ( Interior Use Only )**

SKU# 1638111912